

# Circular Sight Glass Fittings PN 6 / 10 / 16

## with welding necks

### Pressure rating:

6 / 10 / 16 bar

### welding neck:

1.4404 / 1.4571 / 1.4435 / 1.4462 / ST37 / H2  
on demand with APZ DIN EN 10204-3.1

### Cover flange:

1.4301 / 1.4404 / ST37 / H2

### Sightglass disc:

borosilicate glass DIN 7080 (up to 243°C)  
on demand with wipers up to size 150 and up to 6 Bar

### Bolts:

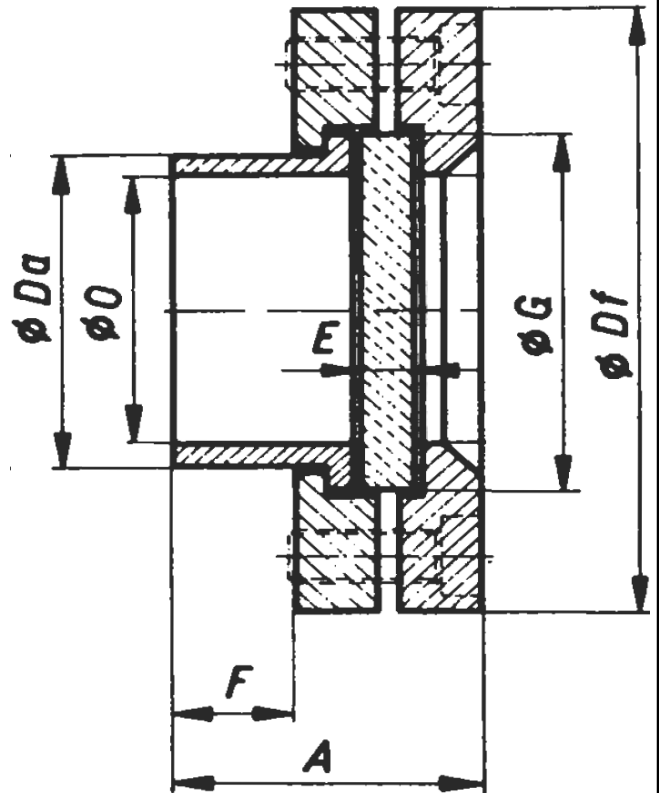
cyl. bolts DIN 912 A2-70 or A4-70 - recessed

### Seals (FDA compliant):

EPDM, Reinz AFM 34, PTFE  
others on request

### Ordering excmple:

5 Circular Sight Glass Fittings with welding necks  
Type KL 413 size 80 PN 6  
welding neck: 1.4404  
flanges: 1.4301  
seals: Reinz AFM 34



Size	Pressure rating (bar)	View ØO (mm)	Welding Neck		Flanges ØDf (mm)	Height A (mm)	Glass disc	
			ØDa (mm)	F (mm)			ØG (mm)	E (mm)
45	6	45	53	20	110	52	63	8
	10					10		
	16					10		
60	6	60	70	24	135	60	80	10
	10					12		
	16					12		
80	6	80	90	24	150	60	100	10
	10					12		
	16					15		
100	6	100	110	30	185	69	125	15
	10					15		
	16					20		
125	6	125	135	30	210	69	150	15
	10					20		
	16					25		
150	6	150	160	30	240	74	175	20
	10					*		
	16					*		
175	6	175	185	30	275	76	200	20
	10					*		
	16					*		

\* on request

**KESSLER**  
Manfred Kessler GmbH  
**Schauglasarmaturen**

Manfred Kessler GmbH  
Schauglasarmaturen  
Grienmatt 44  
D-79650 Schopfheim

Tel.: +49 (0) 7622 62343  
Fax: +49 (0) 7622 7197  
E-mail: info@kessler-sightglass.com  
www.kessler-sightglass.com